



- 500 mW Output

Low Divergence, Low Noise

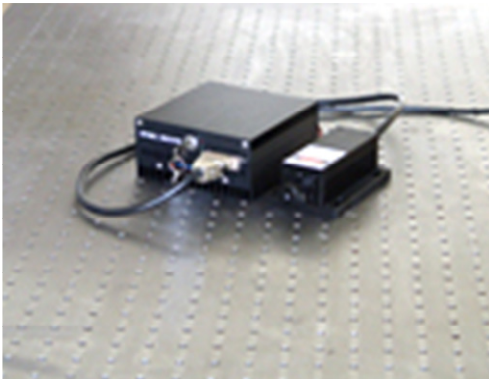
Diode Pumped, Compact

System Specifications	IRL1053-500
Wavelength	1053 nm
Output Power	~ 500 mW
Beam Diameter at the aperture	~2.0 mm
Transverse mode	TEM ₀₀
Beam divergence	<1.5 mrad
M ² factor	M ² ≤ 1.5
Beam Height (mm)	25 mm
Operating Temperature	10 - 35 degree C
Point stability after warm-up	< 0.05 mrad
Polarization ratio	> 100:1
Power stability (4 Hrs)	< 1%; 3%; 5%;
TTL / Analog Modulation	Optional (2KHz ~ 30 KHz)
Warm-up time (Minutes)	<10
Expected lifetime	10,000 hours
Warranty time	1 year

		Specifications
Utility and Environmental Requirements	Power supply	80-260 VAC or 5 VDC
	Power Consumption	50W
	Operating temperature	10-35°C
	Dimensions(L×W×H)	
	Laser Head	140 × 73 × 46 mm
	Power Supply	154 × 155 × 95 mm
	Weights	
	Laser Head	0.6 Kg
	Power Supply	1.5 Kg

1053 nm

CW Near IR Lasers

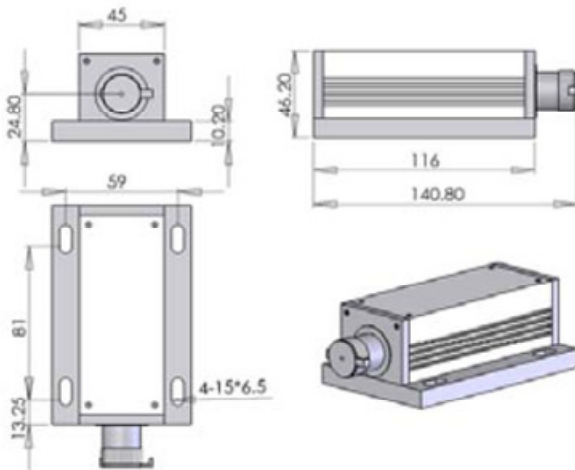


This 1053 nm CW Near IR Laser is a Diode-Pumped Solid-State (DPSS) Laser with Compacted, Rugged and Air-cooled geometry. The laser system includes one Laser Driver and one Laser Head, they are connected with a cable for compliance with FDA regulations as an OEM laser product, and can be operated over a wide temperature range with a Low Noise and High Stability laser output.

Laser Head



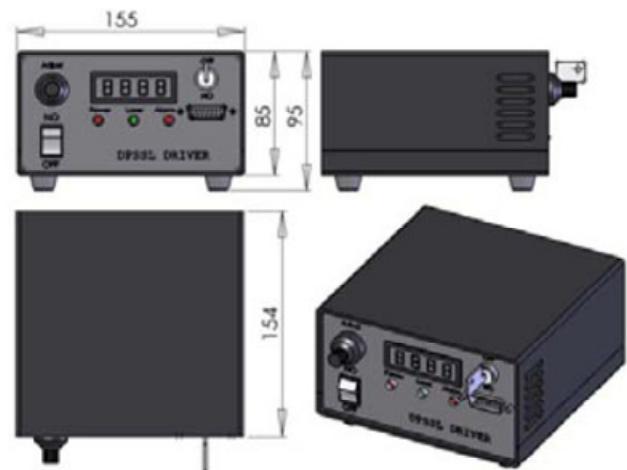
140.8(L)×73(W)×46.2(H) mm³, 0.6kg



Power Supply



154 (L) ×155(W) ×95 (H) mm³, 1.5kg



All Dimensions are in mm

Laser Lab Components, Inc. (LLCI) follows a policy of continuous product improvement. Specifications are subject to change without notice.

LLCI offers a limited warranty for all GL™ systems. For full details on warranty coverage, please refer to the Service and Support section at www.LaserLabComponents.com, or contact your local Sales or Service Representative.

www.LaserLabComponents.com^d

