



1500mW - 2500 mW Output

Low Divergence, Low Noise

Diode Pumped, Compact

System Specifications	IRL1064-2500
Wavelength	1064 nm
Output Power	1500 mW - 2500 mW
Beam Diameter at the aperture	~3.0 mm
Transverse mode	TEM ₀₀
Beam divergence	<2.0 mrad
M ² factor	M ² ≤ 2.0
Beam Height (mm)	29 mm
Operating Temperature	10 - 35 degree C
Point stability after warm-up	<0.05mrad
Polarization ratio	> 100:1
Power stability (4 Hrs)	<1%; 3%; 5%; 10%
TTL / Analog Modulation	Optional (2 KHz ~ 30 KHz)
Warm-up time (Minutes)	<10
Expected lifetime	10,000 hours
Warranty time	1 year

		Specifications
Utility and Environmental Requirements	Power supply	80-260 VAC or 5 VDC
	Power Consumption	N/A
	Operating temperature	10-35°C
	Dimensions(L×W×H)	
	Laser Head	155 × 77 × 60 mm
	Power Supply	240 × 146 × 108 mm
	Weights	
	Laser Head	0.9 Kg
	Power Supply	2.6 Kg

1064nm

CW Infrared Lasers

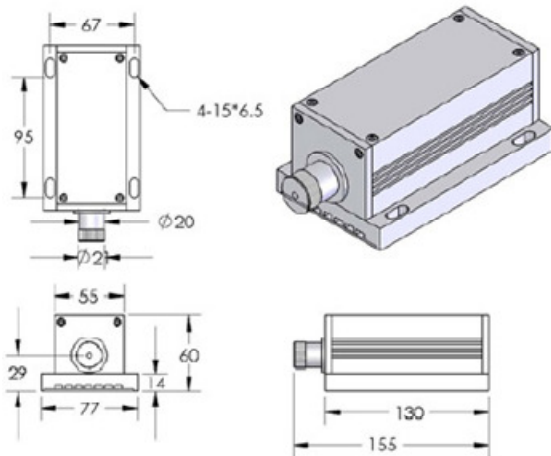


This 1064 nm CW Infrared Laser is a Diode-Pumped Solid-State (DPSS) Laser with Compacted, Rugged and Air-cooled geometry. The laser system includes one Laser Driver and one Laser Head, they are connected with a cable for compliance with FDA regulations as an OEM laser product, and can be operated over a wide temperature range with a Low Noise and High Stability laser output.

Laser Head



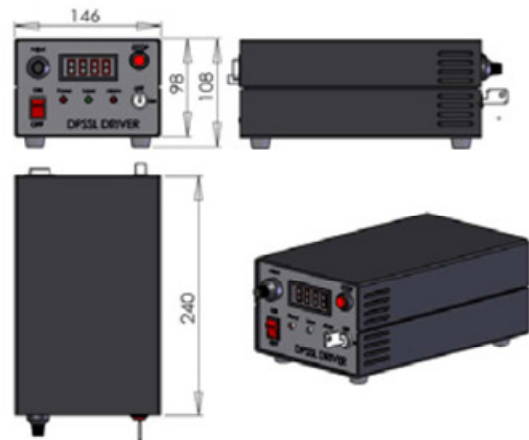
155(L)×77(W)×60(H) mm³, 0.9 kg



Power Supply



240 (L) ×146(W) ×108 (H) mm³, 2.6 kg



All Dimensions are in mm

Laser Lab Components, Inc. (LLCI) follows a policy of continuous product improvement. Specifications are subject to change without notice.

LLCI offers a limited warranty for all GL™ systems. For full details on warranty coverage, please refer to the Service and Support section at www.LaserLabComponents.com, or contact your local Sales or Service Representative.

www.LaserLabComponents.com ^d

