



**-300mW Output**

**Low Divergence, Low Noise**

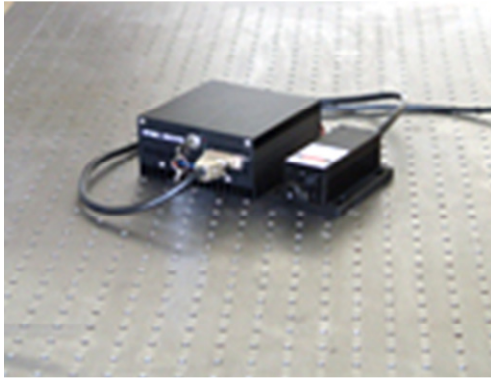
**Diode Pumped, Compact**

System Specifications	IRL 1122-300
Wavelength	1122 nm
Output Power	~ 300 mW
Beam Diameter at the aperture	~2.0 mm
Transverse mode	TEM <sub>00</sub>
Beam divergence	<1.5 mrad
M <sup>2</sup> factor	M <sup>2</sup> ≤ 1.5
Beam Height (mm)	25 mm
Operating Temperature	10 - 35 degree C
Point stability after warm-up	<0.05mrad
Polarization ratio	> 100:1
Power stability (4 Hrs)	<1%; 3%; 5%
TTL / Analog Modulation	Optional (2 KHz ~ 30 KHz)
Warm-up time (Minutes)	<10
Expected lifetime	10,000 hours
Warranty time	1 year

		Specifications
Utility and Environmental Requirements	Power supply	80-260 VAC or 5 VDC
	Power Consumption	50W
	Operating temperature	10-35°C
	Dimensions(L×W×H)	
	Laser Head	140 × 73 × 46 mm
	Power Supply	154 × 155 × 95 mm
	Weights	
	Laser Head	0.6 Kg
	Power Supply	1.5 Kg

# 1122nm

## CW Infrared Lasers

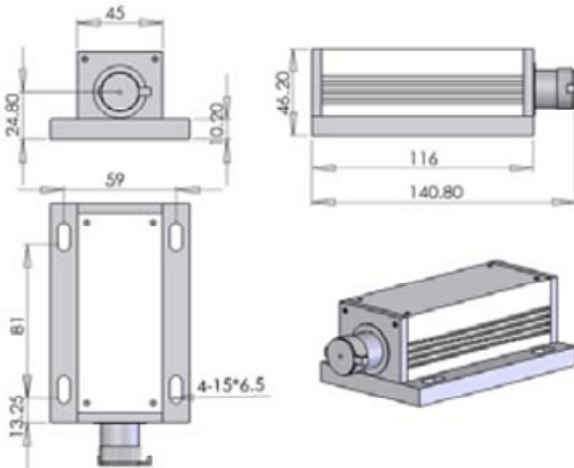


This 1122 nm CW Infrared Laser is a Diode-Pumped Solid-State (DPSS) Laser with Compacted, Rugged and Air-cooled geometry. The laser system includes one Laser Driver and one Laser Head, they are connected with a cable for compliance with FDA regulations as an OEM laser product, and can be operated over a wide temperature range with a Low Noise and High Stability laser output.

Laser Head



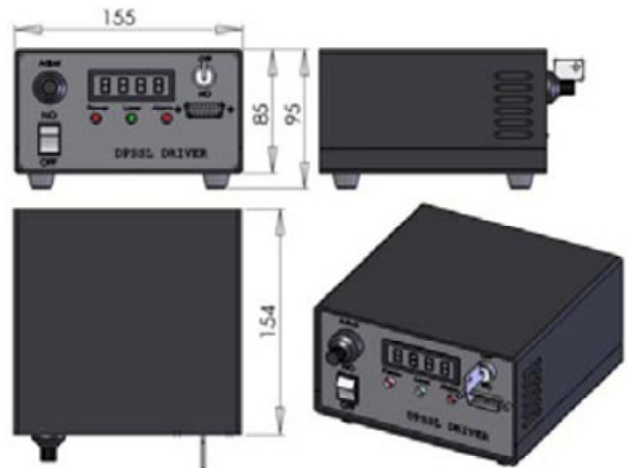
140.8(L)×73(W)×46.2(H) mm<sup>3</sup>, 0.6kg



Power Supply



154 (L) ×155(W) ×95 (H) mm<sup>3</sup>, 1.5kg



All Dimensions are in mm

Laser Lab Components, Inc. (LLCI) follows a policy of continuous product improvement. Specifications are subject to change without notice.

LLCI offers a limited warranty for all GL™ systems. For full details on warranty coverage, please refer to the Service and Support section at [www.LaserLabComponents.com](http://www.LaserLabComponents.com), or contact your local Sales or Service Representative.

[www.LaserLabComponents.com](http://www.LaserLabComponents.com)<sup>d</sup>

