



3000mW - 5000mW Output

Low Divergence, Low Noise

Diode Pumped, Compact

System Specifications	IRL1342-5000
Wavelength	1342 nm
Output Power	3000 mW - 5000 mW
Beam Diameter at the aperture	~5.0 mm
Transverse mode	Near TEM ₀₀
Beam divergence	<1.5 mrad
M ² factor	M ² ≤ 1.5
Beam Height (mm)	94 mm
Operating Temperature	10 - 35 degree C
Point stability after warm-up	<0.05mrad
Polarization ratio	> 100:1
Power stability (4 Hrs)	<1%; 3%; 5%;
TTL / Analog Modulation	Optional (2 KHz ~ 30 KHz)
Warm-up time (Minutes)	<10
Expected lifetime	10,000 hours
Warranty time	1 year

	Specifications	
Utility and Environmental Requirements	Power supply	80-260 VAC
	Power Consumption	N/A
	Operating temperature	10-35°C
	Dimensions(L×W×H)	
	Laser Head	333 × 140 × 125 mm
	Power Supply	307 × 168 × 123 mm
	Weights	
	Laser Head	6.1 Kg
	Power Supply	5.1 Kg

1342nm

CW Infrared Lasers

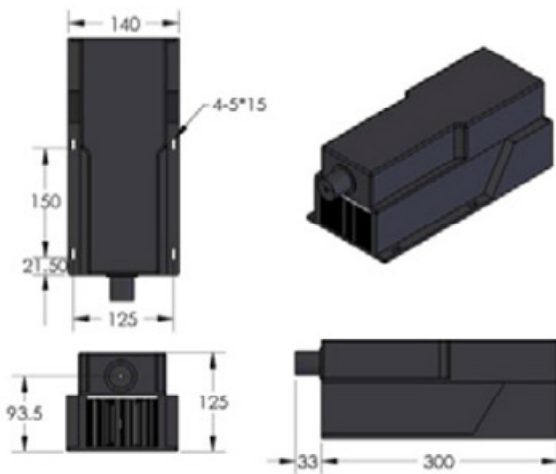


This 1342 nm CW Infrared Laser is a Diode-Pumped Solid-State (DPSS) Laser with Compacted, Rugged and Air-cooled geometry. The laser system includes one Laser Driver and one Laser Head, they are connected with a cable for compliance with FDA regulations as an OEM laser product, and can be operated over a wide temperature range with a Low Noise and High Stability laser output.

Laser Head



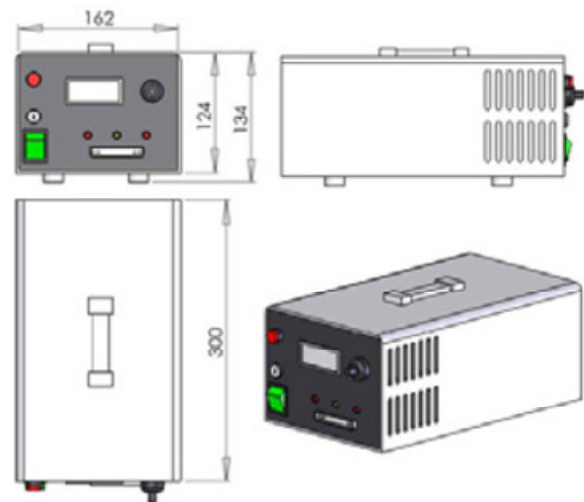
333(L)×140(W)×125(H) mm³, 6.1 kg



Power Supply



307 (L) ×168(W) ×123(H) mm³, 5.1 kg



All Dimensions are in mm

Laser Lab Components, Inc. (LLCI) follows a policy of continuous product improvement. Specifications are subject to change without notice.

LLCI offers a limited warranty for all GL™ systems. For full details on warranty coverage, please refer to the Service and Support section at www.LaserLabComponents.com, or contact your local Sales or Service Representative.

www.LaserLabComponents.com^d

