



-50mW Output

Low Divergence, Low Noise

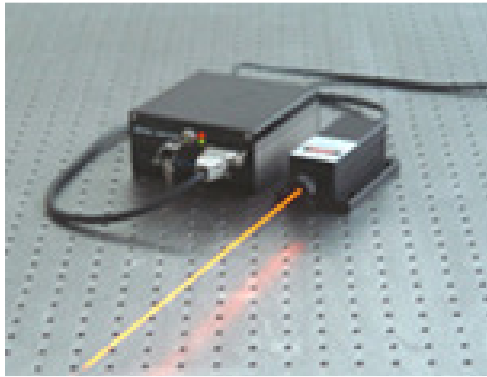
Diode Pumped, Compact

| System Specifications | YL593-50 |
|-------------------------------|------------------------|
| Wavelength | 593.5 nm |
| Output Power | ~ 50 mW |
| Beam Diameter at the aperture | ~2.0 mm |
| Transverse mode | Near TEM ₀₀ |
| Beam divergence | <1.5 mrad |
| M ² factor | M ² ≤ 1.2 |
| Beam Height (mm) | 25 mm |
| Operating Temperature | 10 - 35 degree C |
| Point stability after warm-up | <0.05mrad |
| Polarization ratio | > 100:1 |
| Power stability (4 Hrs) | < 5%; 10%; |
| Warm-up time (Minutes) | <10 |
| Expected lifetime | 10,000 hours |
| Warranty time | 1 year |

| | | Specifications |
|--|-----------------------|---------------------|
| Utility and Environmental Requirements | Power supply | 80-260 VAC or 5 VDC |
| | Power Consumption | 50W |
| | Operating temperature | 10-35°C |
| | Dimensions(L×W×H) | |
| | Laser Head | 140 × 73 × 46 mm |
| | Power Supply | 154 × 155 × 95 mm |
| | Weights | |
| | Laser Head | 0.6 Kg |
| | Power Supply | 1.5 Kg |

593.5nm

CW Orange/Red Lasers

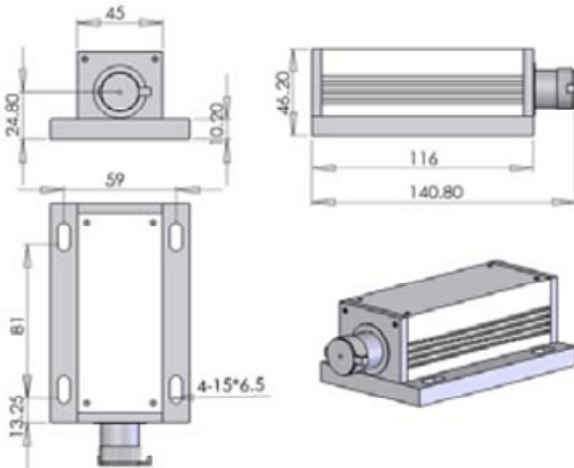


This 593.5 nm CW Red Laser is a Diode-Pumped Solid-State (DPSS) Laser with Compacted, Rugged and Air-cooled geometry. The laser system includes one Laser Driver and one Laser Head, they are connected with a cable for compliance with FDA regulations as an OEM laser product, and can be operated over a wide temperature range with a Low Noise and High Stability laser output.

Laser Head



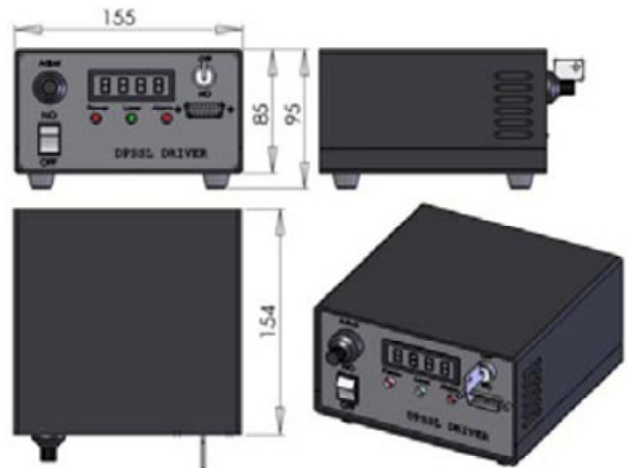
140. 8(L)×73(W) ×46. 2(H) mm³, 0.6kg



Power Supply



154 (L) ×155(W) ×95 (H) mm³, 1.5kg



All Dimensions are in mm

Laser Lab Components, Inc. (LLCI) follows a policy of continuous product improvement. Specifications are subject to change without notice.

LLCI offers a limited warranty for all GL™ systems. For full details on warranty coverage, please refer to the Service and Support section at www.LaserLabComponents.com, or contact your local Sales or Service Representative.

www.LaserLabComponents.com ^d

