



**80-200mW Output**

**Low Divergence,Low Noise**

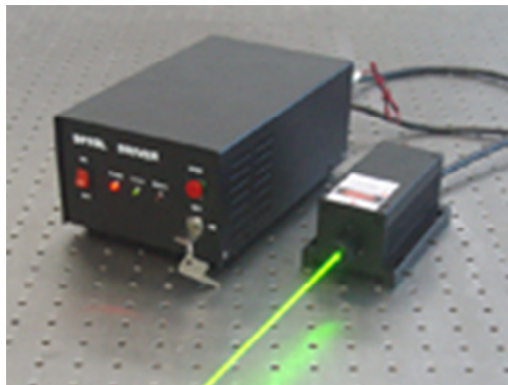
**Diode Pumped,Compact**

System Specifications	YL556-200
Wavelength	556 nm
Output Power	80 ~ 200 mW
Beam Diameter at the aperture	~3.0 mm
Transverse mode	Near TEM <sub>00</sub>
Beam divergence	<2.0 mrad
M <sup>2</sup> factor	M <sup>2</sup> ≤ 2.0
Beam Height (mm)	29 mm
Operating Temperature	10 ~ 35 degree C
Point stability after warm-up	<0.05mrad
Polarization ratio	> 100:1
Power stability (4 Hrs)	< 5%, 10%
Warm-up time (Minutes)	<10
Expected lifetime	10,000 hours
Warranty time	1 year

	Specifications	
Utility and Environmental Requirements	Power supply	80-260 VAC or 5 VDC
	Power Consumption	50W
	Operating temperature	10-35°C
	Dimensions(L×W×H)	
	Laser Head	155 × 77 × 60 mm
	Power Supply	240 × 146 × 108 mm
	Weights	
	Laser Head	0.9 Kg
	Power Supply	2.6 Kg

# 556nm

# CW Yellowish Lasers

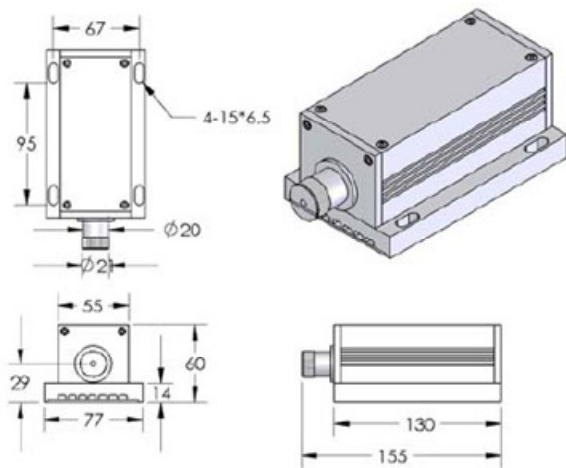


This 556 nm CW Yellow Laser is a Diode-Pumped Solid-State (DPSS) Laser with Compacted, Rugged and Air-cooled geometry. The laser system includes one Laser Driver and one Laser Head, they are connected with a cable for compliance with FDA regulations as an OEM laser product, and can be operated over a wide temperature range with a Low Noise and High Stability laser output.

Laser Head



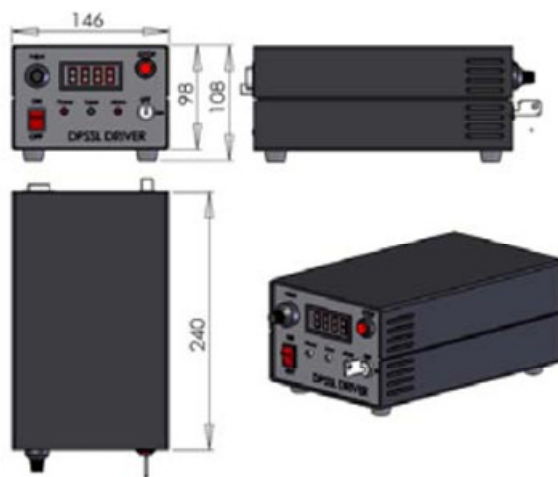
155(L)×77(W)×60(H) mm<sup>3</sup>, 0.9 kg



Power Supply



240 (L) × 146 (W) × 108 (H) mm<sup>3</sup>, 2.6 kg



All Dimensions are in mm

Laser Lab Components, Inc. (LLCI) follows a policy of continuous product improvement. Specifications are subject to change without notice.

LLCI offers a limited warranty for all GL™ systems. For full details on warranty coverage, please refer to the Service and Support section at [www.LaserLabComponents.com](http://www.LaserLabComponents.com), or contact your local Sales or Service Representative.

[www.LaserLabComponents.com](http://www.LaserLabComponents.com) <sup>d</sup>

