



3000 - 5000 mW Output

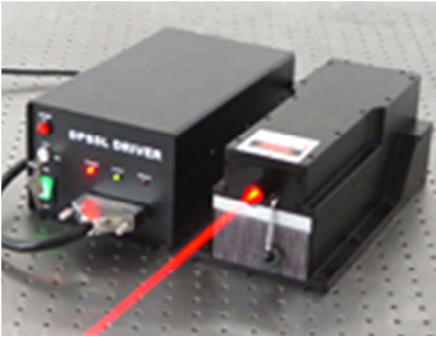
Low Divergence, Low Noise

High Efficiency, Compact

System Specifications	DRL635-5000
Wavelength	635 +/- 5 nm
Output Power	3000 - 5000 mW
Beam Diameter at the aperture	~ 7x7 mm
Beam Profile	Near TME00
Beam divergence	<5.0 mrad
M ² factor	< 20
Beam Height (mm)	94 mm
Operating Temperature	10-35°C
Point stability after warm-up	<0.05 mrad
Polarization ratio	> 50:1
Power stability (4 Hrs)	< 5%, 10%
Warm-up time (Minutes)	< 5
TTL Modulation	Optional (upto 30 KHz)
Analog Modulation	Optional (upto 30 KHz)
Power Supply	80 - 260 VAC or 5 VDC
Expected lifetime	10,000 hours
Warranty time	1 Year
Dimension (Laser Head)	333 × 140 × 125 mm
Dimension (Power Supply)	307 × 168 × 123 mm
Weight (Laser Head)	6.1 KG
Weight (Power Supply)	5.1 KG

635nm

Diode Red CW Laser



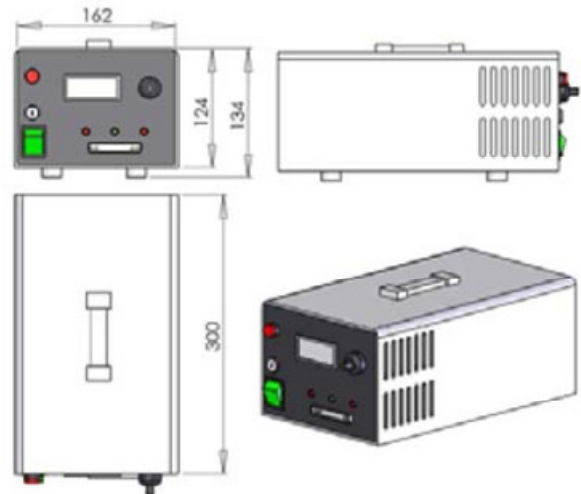
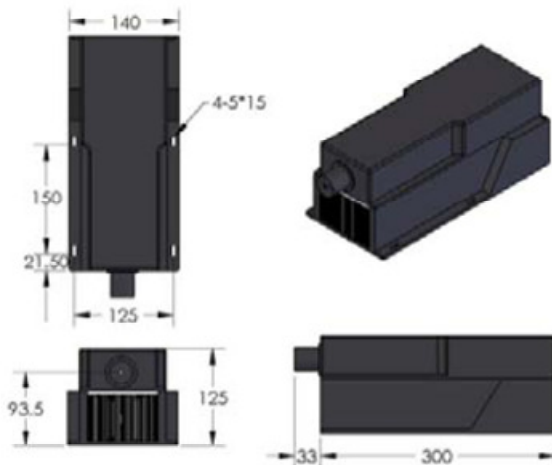
Laser Head

Power Supply



333(L)×140(W)×125(H) mm³, 6.1 kg

307 (L) ×168(W) ×123(H) mm³, 5.1 kg



All Dimensions are in mm

Laser Lab Components, Inc. (LLCI) follows a policy of continuous product improvement. Specifications are subject to change without notice.

LLCI offers a limited warranty for all GL™ systems. For full details on warranty coverage, please refer to the Service and Support section at www.LaserLabComponents.com, or contact your local Sales or Service Representative.

www.LaserLabComponents.com ^d

