



5 - 20 mW Output

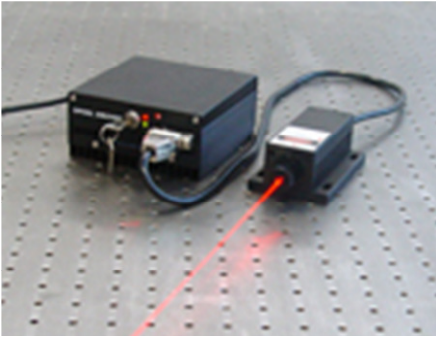
Low Divergence, Low Noise

High Efficiency, Compact

System Specifications	DRL685-20
Wavelength	685 +/- 5 nm
Output Power	5 - 20 mW
Beam Diameter at the aperture	~ 5x8 mm
Beam Profile	Near Round
Beam divergence	<0.5 mrad
M ² factor	< 20
Beam Height (mm)	25 mm
Operating Temperature	10-35°C
Point stability after warm-up	<0.05 mrad
Polarization ratio	> 50:1
Power stability (4 Hrs)	< 1%, 3%, 5%
Warm-up time (Minutes)	< 5
TTL Modulation	Optional (upto 30 KHz)
Analog Modulation	Optional (upto 30 KHz)
Power Supply	80 - 260 VAC or 5 VDC
Expected lifetime	10,000 hours
Warranty time	1 Year
Dimension (Laser Head)	140 × 75 × 45 mm
Dimension (Power Supply)	154 × 160 × 95 mm
Weight (Laser Head)	0.6 KG
Weight (Power Supply)	1.5 KG

685nm

Diode Red CW Laser



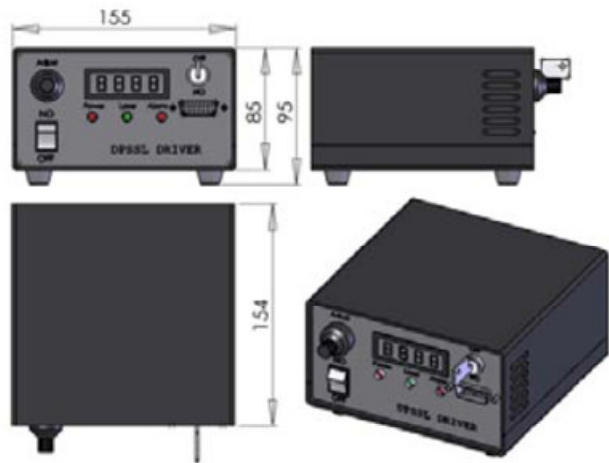
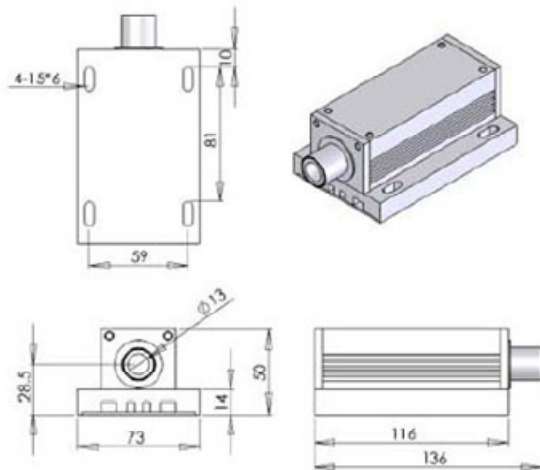
Laser Head

Power Supply



136(L)×73(W) ×50(H) mm³, 0.6kg

154 (L) ×155(W) ×95 (H) mm³, 1.5kg

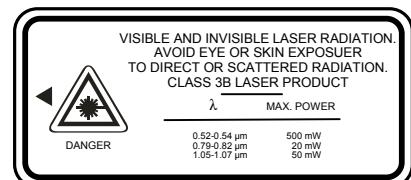


All Dimensions are in mm

Laser Lab Components, Inc. (LLCI) follows a policy of continuous product improvement. Specifications are subject to change without notice.

LLCI offers a limited warranty for all GL™ systems. For full details on warranty coverage, please refer to the Service and Support section at www.LaserLabComponents.com, or contact your local Sales or Service Representative.

www.LaserLabComponents.com^d



VISIBLE AND INVISIBLE LASER RADIATION.
AVOID EYE OR SKIN EXPOSURE
TO DIRECT OR SCATTERED RADIATION.
CLASS 3B LASER PRODUCT



DANGER

λ MAX. POWER

0.52-0.54 μm	500 mW
0.79-0.82 μm	20 mW
1.05-1.07 μm	50 mW