



**1-2W Output**

**Low Divergence, High Stability**

**Diode pumped, Q-Switched**

System Specifications		QGL532
Wavelength		532 nm
Output Energy Per Pulse		50 - 100 $\mu$ J
Pulse Width		- 9 ns
Repetition Rate		5 KHz ~ 30 KHz
Spatial mode		Near TEM <sub>00</sub>
Beam Diameter <sup>1</sup>		~ 4.0 mm
Beam divergence <sup>2</sup>		<2.0 mrad
M <sup>2</sup> factor		M <sup>2</sup> $\leq$ 2.0
Power stability <sup>3</sup>		1%; 3%; 5% @ 4 hours
Beam Height		94 mm
Polarization ratio		>100:1
Warm-up time		<10 minutes
Expected lifetime		10,000 hours
Warranty time		1 year
Operating temperature		10-35°C
Power supply		90-260VAC
Dimensions (L×W×H)	Laser Head	333 × 140 × 125 mm
	Power Supply	300 × 162 × 134 mm
Weights	Laser Head	6.1 Kg
	Power Supply	5.2 Kg

**Note:**

All performance specifications guaranteed at specified output power only.

1 1/e<sup>2</sup> at exit port.

2 Full-angle divergence.

3 Measured over 4 hours after 15 minute warm-up.

4 Measured as far-field x and y positions over a 25°C to 35°C temperature change.

# 532nm

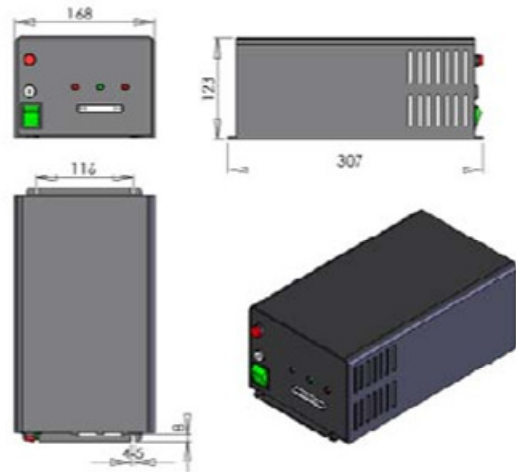
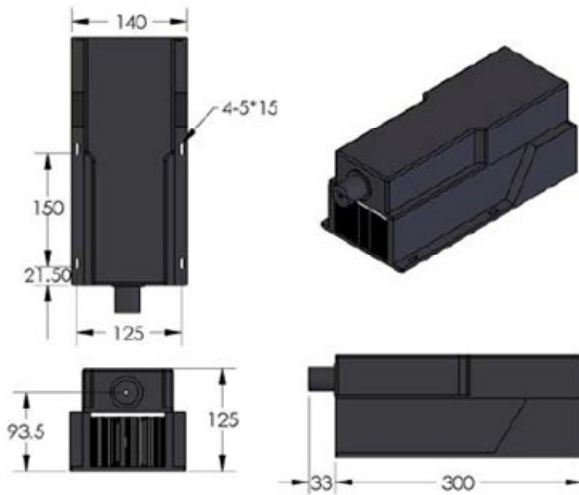
# QCW Ultraviolet Lasers



333(L)×140(W)×125(H) mm<sup>3</sup>, 6.1 kg



300 (L) ×162(W) ×134(H) mm<sup>3</sup>, 5.2 kg



All Dimensions are in mm

Laser Lab Components, Inc. (LLCI) follows a policy of continuous product improvement. Specifications are subject to change without notice.

LLCI offers a limited warranty for all UV™ systems. For full details on warranty coverage, please refer to the Service and Support section at [www.LaserLabComponents.com](http://www.LaserLabComponents.com), or contact your local Sales or Service Representative.

VISIBLE AND INVISIBLE LASER RADIATION.  
AVOID EYE OR SKIN EXPOSURE  
TO DIRECT OR SCATTERED RADIATION.  
CLASS 4 LASER PRODUCT

λ	MAX PEAK POWER
0.26-0.27 μm	50 mW
0.25-0.36 μm	100 mW
0.52-0.54 μm	200 mW
1.05-1.07 μm	250 mW

DANGER