



- ◆ 4 ~ 6W Output
- ◆ Low Divergence, High Stability
- ◆ Diode pumped, QCW

System Specifications		QIRL1064-4	QIRL1064-6
Wavelength		1064nm	1064nm
Output Power		4 W	6 W
Pulse Width		~ 9 ns	~ 9 ns
Beam Diameter ¹		~5 mm	~5 mm
Rep. Rate		5 ~ 30 KHz	5 ~ 30 KHz
Transverse mode		Near TEM00	Near TEM00
Beam Quality (M ²)		M ² ≤ 2.0	M ² ≤ 2.0
Beam divergence ²		≤ 2.0 mrad	≤ 2.0 mrad
Beam Height		94 mm	94 mm
Power stability ⁴		<1%; 3%; 5% @ 4 hours	<1%; 3%; 5% @ 4 hours
Warm-up time		<10 minutes	<10 minutes
Expected lifetime		10,000 hours	10000 hours
Warranty time		1 years	1 years
Operating temperature		10-35°C	10-35°C
Power supply		90-260 VAC	90-260 VAC
Control Interface	Laser power control	0-5V Analog signal	
	Optic shutter control	TTL	
Dimensions (L×W×H)	Laser Head	333 × 140 × 125 mm	333 × 140 × 125 mm
	Power Supply	300 × 162 × 134 mm	300 × 162 × 134 mm
Weights	Laser Head	6.1 Kg	6.1 Kg
	Power Supply	5.2 Kg	5.2 Kg

Note:

All performance specifications guaranteed at specified output power only.

1 1/e² at exit port.

2 Full-angle divergence.

3 Measured as far-field x and y positions over a 25°C to 35°C temperature change.

4 Measured over 4 hours after 15 minute warm-up.

1064nm

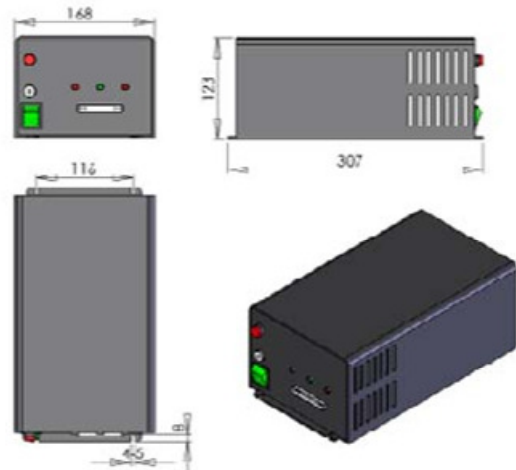
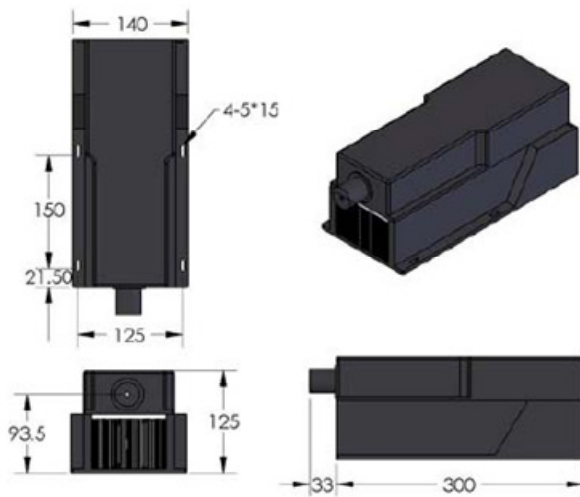
High Power Infrared Lasers



333(L)×140(W)×125(H) mm³, 6.1 kg



300 (L) ×162(W) ×134(H) mm³, 5.2 kg



All Dimensions are in mm

Laser Lab Components, Inc. (LLCI) follows a policy of continuous product improvement. Specifications are subject to change without notice.

LLCI offers a limited warranty for all UV™ systems. For full details on warranty coverage, please refer to the Service and Support section at www.LaserLabComponents.com, or contact your local Sales or Service Representative.

