



- ◆ 500 mW Output
- ◆ Low Divergence, High Stability
- ◆ Diode pumped, QCW

System Specifications

QIRL1319-0.5

Wavelength	1064nm	
Output Power	500 mW	
Pulse Width (ns)	~10	
Rep. Rate	Up to 5KHz	
Beam Diameter ¹	~2 mm	
Transverse mode	TEM00	
Beam Quality (M ²)	M ² ≤ 1.2	
Beam divergence ²	≤ 1.5 mrad	
Beam Height	25 mm	
Power stability ⁴	<1%; 3%; 5% @ 4 hours	
Warm-up time	<10 minutes	
Expected lifetime	10,000 hours	
Warranty time	1 years	
Operating temperature	10-35°C	
Power supply	90-260 VAC	
Control Interface	Laser power control	0-5V Analog signal
	Optic shutter control	TTL
Dimensions (L×W×H)	Laser Head	141 × 73 × 46 mm
	Power Supply	133 × 130 × 65 mm
Weights	Laser Head	0.6 Kg
	Power Supply	1.2 Kg

Note:

All performance specifications guaranteed at specified output power only.

1 1/e² at exit port.

2 Full-angle divergence.

3 Measured as far-field x and y positions over a 25°C to 35°C temperature change.

4 Measured over 4 hours after 15 minute warm-up.

1319nm

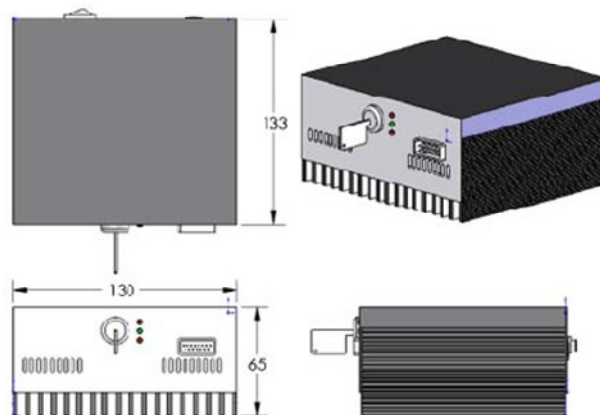
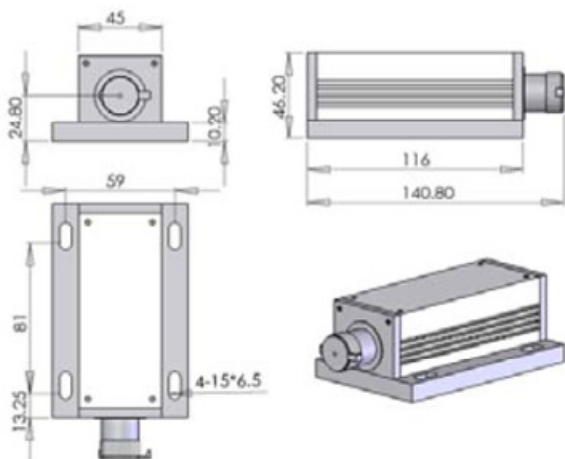
Low Power Infrared Lasers



140. 8(L)×73(W) ×46. 2(H) mm³, 0.6kg



133 (L) ×130(W) ×65 (H) mm³, 1.2kg



All Dimensions are in mm

Laser Lab Components, Inc. (LLCI) follows a policy of continuous product improvement. Specifications are subject to change without notice.

LLCI offers a limited warranty for all UV™ systems. For full details on warranty coverage, please refer to the Service and Support section at www.LaserLabComponents.com, or contact your local Sales or Service Representative.

